

INSWDO4IRWF

4.1 MP Smart H.265 WEDGE Camera
with IR, 120DB, w/Audio W/SD Slot

LiteAI
Edge Analytics



- 4MP, 1/3" CMOS image sensor, low illuminance
- Outputs max. 4MP (2688 × 1520) at 30 fps
- H.265 codec, high compression rate, ultra-low bit rate
- Built-in IR LED, max IR distance: 30 m
- Intelligent detection: Intrusion, tripwire (support the classification and accurate detection of vehicle and human)

Unify your Security Solution

This new function was made to improve drastically your surveillance system efficiency and reduce your false alarms count. Area Protector allows you to custom your tripwires based on a specific object such as pedestrians or vehicles. Combined with real-time alerts on your monitoring device, this function will be key for any zone surveillance.

Smart H.265+ & H.264+

STORM smart encoding technology can provide high-quality video with higher efficiency and can also reduce the cost of storage space and transmission adopting an advanced algorithm of auto stream control.

On-board Analytics

This camera responds accurately to specific events in a given area. Our algorithm enables Tripwire violations, intrusion detection, abandoned/missing objects and much more. Facilitate your viewing experience using on the edge analytics – one product, multiple features.



*Design and specifications are subjects to change without notice.



INSWDO4IRWF

4.1 MP Smart H.265 WEDGE Camera
with IR, 120DB, w/Audio W/SD Slot

Product Specifications

Camera					
Image Sensor	1/3" 4 Megapixel progressive CMOS				
Effective Pixels	2688 (H) × 1520 (V)				
RAM/ROM	512MB/128MB				
Scanning System	Progressive				
Electronic Shutter Speed	Auto/Manual 1/3 s–1/100,000 s				
Minimum Illumination	0.005 Lux at F1.6 (Color, 30IRE); 0.0005 Lux at F1.6 (B/W, 30IRE) 0 Lux (Illuminator on)				
S/N Ratio	More than 56 dB				
IR Distance	30 m (98.4ft)				
IR LEDs	8				
Camera Features					
Day/Night	Auto(ICR) / Color / B/W				
Backlight Compensation	BLC / HLC / WDR 120dB				
White Balance	Auto / natural / street lamp / outdoor / manual / regional custom				
Gain Control	Auto/Manual				
Noise Reduction	3D DNR				
Motion Detection	OFF/ON (4 areas, rectangular)				
Region of Interest	Yes (4 areas)				
Smart Illumination	Yes				
Privacy Masking	4 Areas				
Lens					
Lens Type	Fixed Lens				
Mount Type	M12				
Focal Length	2.8mm				
Max. Aperture	F1.6				
Viewing Angle	Horizontal: 103.0° Vertical: 55.0° Diagonal: 122.0°				
Pan/Tilt/Rotation	Pan: 0°–355°; Tilt: 0°–65°; D: 0°–355°				
DORI Distance	Lens	Detect	Observe	Recognize	Identify
	2.8mm	56.0 m (183.7 ft)	22.4 m (73.5 ft)	11.2 m (36.8 ft)	5.6 m (18.4 ft)
Video					
Compression	H.265+; H.264+; MJPEG (only supported on the sub stream)				
Resolution	4M P(2688 × 1520); 3MP (2304 × 1296); 1080p (1920 × 1080); 1.3MP (1280 × 960); 720p (1280 × 720); D1 (704 × 576/704 × 480); VGA (640 × 480); CIF (352 × 288/352 × 240)				
Frame Rate	Main Stream: 2688 × 1520 at 1 to 25/30 fps				
	Sub stream: 704 × 576 (1 fps to 25 fps) 704 × 480 (1 fps to 30 fps)			Third stream: 1280 × 720 at 1 to 25/30 fps	
Bit Rate	H.264: 3 Kbps–8192 Kbps H.265: 3 Kbps–8192 Kbps				

*Design and specifications are subjects to change without notice.



INSWDO4IRWF

4.1 MP Smart H.265 WEDGE Camera
with IR, 120DB, w/Audio W/SD Slot

Product Specifications

Lite AI	
Area Protector	Tripwire; intrusion (Recognition of human and vehicle)
Intelligent Search	Work together with the STORM Smart NVR to perform refine intelligent search, event extraction and merging to event videos
Audio	
Built-in Mic	Yes
Audio Compression	G.711a; G.711Mu; G726
Alarm	
Alarm Event	No SD card; SD card full; SD card error; less service time of SD card (smart card supports); network disconnection; IP conflict; illegal access; voltage detection; security exception; motion detection; scene changing; intensity change; tripwire; intrusion; Smart Motion Detection
Network	
Ethernet	RJ-45 (10/100 Base-T)
SDK & API	Yes
Cyber Security	Video encryption; firmware encryption; configuration encryption; Digest; WSSE; account lockout; security logs; IP/MAC filtering; generation and importing of X.509 certification; syslog; HTTPS; 802.1x; trusted boot; trusted execution; trusted upgrade
Storage	FTP; SFTP; NAS; Micro SD Card up to 256 GB
Management Software	STORM, STORM+, ARKIV
Protocol	IPv4; IPv6; HTTP; TCP; UDP; ARP; RTP; RTSP; RTCP; RTMP; SMTP; FTP; SFTP; DHCP; DNS; DDNS; QoS; UPnP; NTP; Multicast; ICMP; IGMP; NFS; PPPoE; SNMP
Compatibility	CGI; P2P; Milestone; Genetec
Maximum User Access	20
Smart Phone	iOS, Android
General	
Power Supply	12V DC/PoE (802.3af)
Power Consumption	Less than 5.7W
Working Environment	-40°C to +60°C (-40°F to +140°F); Less than 95% RH
Protection	IP67, IK10
Dimensions	55 mm × Φ108.9 mm (2.2" × Φ4.3")
Weight	1.1 lbs (0.52 kg)

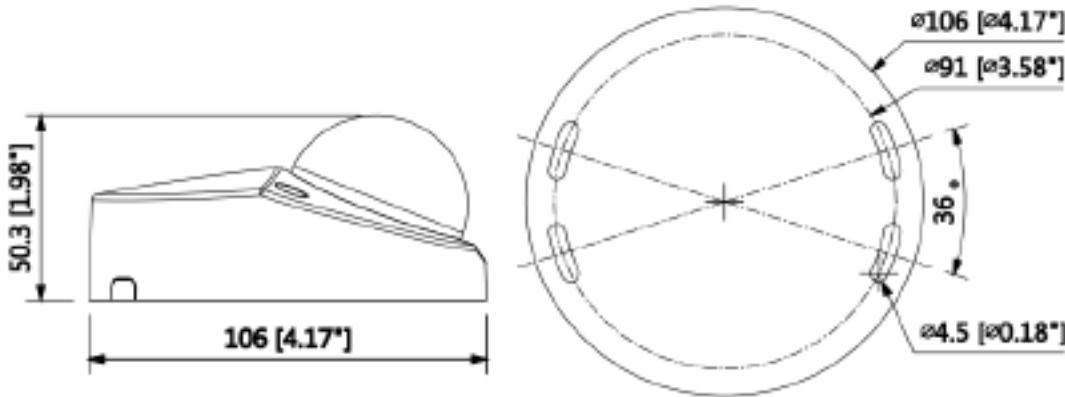
*Design and specifications are subjects to change without notice.



INSWDO4IRWF

4.1 MP Smart H.265 WEDGE Camera with IR, 120DB, w/Audio W/SD Slot

Product Specifications



**INSX139
Junction Box**






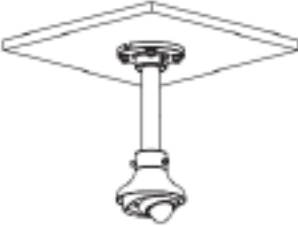
**INSX204
Wall Mount**



**INSX152
Pole Mount**



**VUSD256G
Micro SD Card**

Junction Mount	Wall Mount	Pole Mount	Ceiling Mount
INSX139	INSX204	INSX204 + INSX152	INSX106 + INSX220C
			



**INSX106
Mount Adapter**



**INSX220C
Ceiling Mount**

*Design and specifications are subjects to change without notice.

